



## § BRIEF SPECIFICATION §

---

FDT Tech Module No: **LP101G0BDx-FNR**

---

Description: **10.1" Digital TFT- LCD Module**

---

SPEC No.: **SAS-1703003**

---

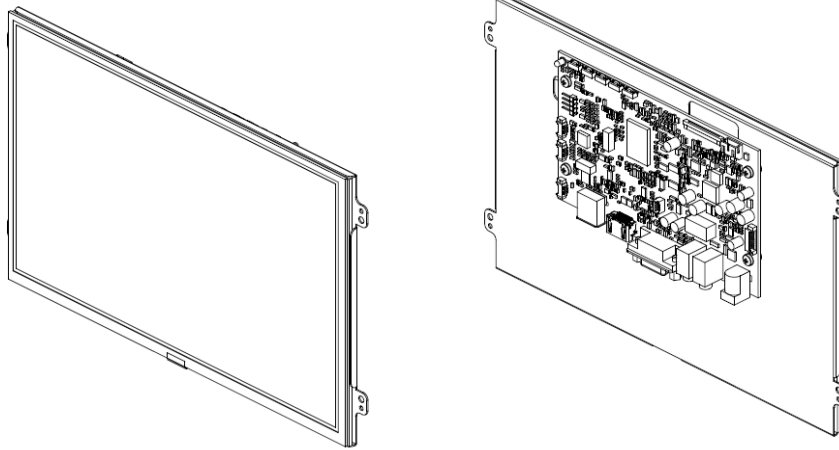
Version: **0.1**

---

Issue Date: **March 31, 2017**

---

This specification contains 5 pages including the cover and appendix.



## Features

- 10.1" (1280x800) Digital TFT LCD
- Aspect Ratio: 16:9
- Input Signal VGA / HDMI 1.3a
- Maximum Support Resolution 1920x1080
- Headphone Driver, 46mW@32Ω
- Projected Capacitive Touch
- 5 Key Buttons Controls
- 8 Language OSD Menu
- LED Backlight
- Single Operation Voltage +12V

## Applications

- Industrial
- Medical Environment
- Instrument Display
- Kiosk
- Security
- Signage
- Office Electronics
- Home Application
- Educate Application



## Specifications

LCD	
Panel Size	10.1"
Resolution (Pixels)	1280x800
Luminance without RTP	300 cd/m <sup>2</sup>
Luminance (RTP)	234cd/m <sup>2</sup>
Luminance (PCAP)	255 cd/m <sup>2</sup>
Contrast Ratio	800
View Angle	85 / 85 / 85 / 85
LED Life Time	20K (Min)
Power Requirement	
Power Input (DC Jack 2.1 φ)	+12 VDC
Touch Screen	
Resistive / PCAP Type	USB Interface
Resistive Type Support OS	Windows / Linux / DOS / Mac / QNX
Projected Capacitive Touch Support OS	Windows / Linux

Input Signal				
VGA	D-Sub15			
HDMI	1.3a			
Audio				
Headphone Driver (Line In & out)	46mW@32Ω Phone Jack φ 3.5			
Controls				
Key	5 Buttons			
Serial Remote Control	UART / RS232 (Option)			
Environment				
	Without RTP	4W RTP	PCAP	
Temperature Range	Operating	0 ~ +50°C	0 ~ +50°C	0 ~ +50°C
	Storage	-20 ~ +60°C	-20 ~ +60°C	-20 ~ +60°C
High Temperature & High Humidity (Non-condensing)	Operating	+40°C / 90%	+40°C / 90%	+40°C / 90%

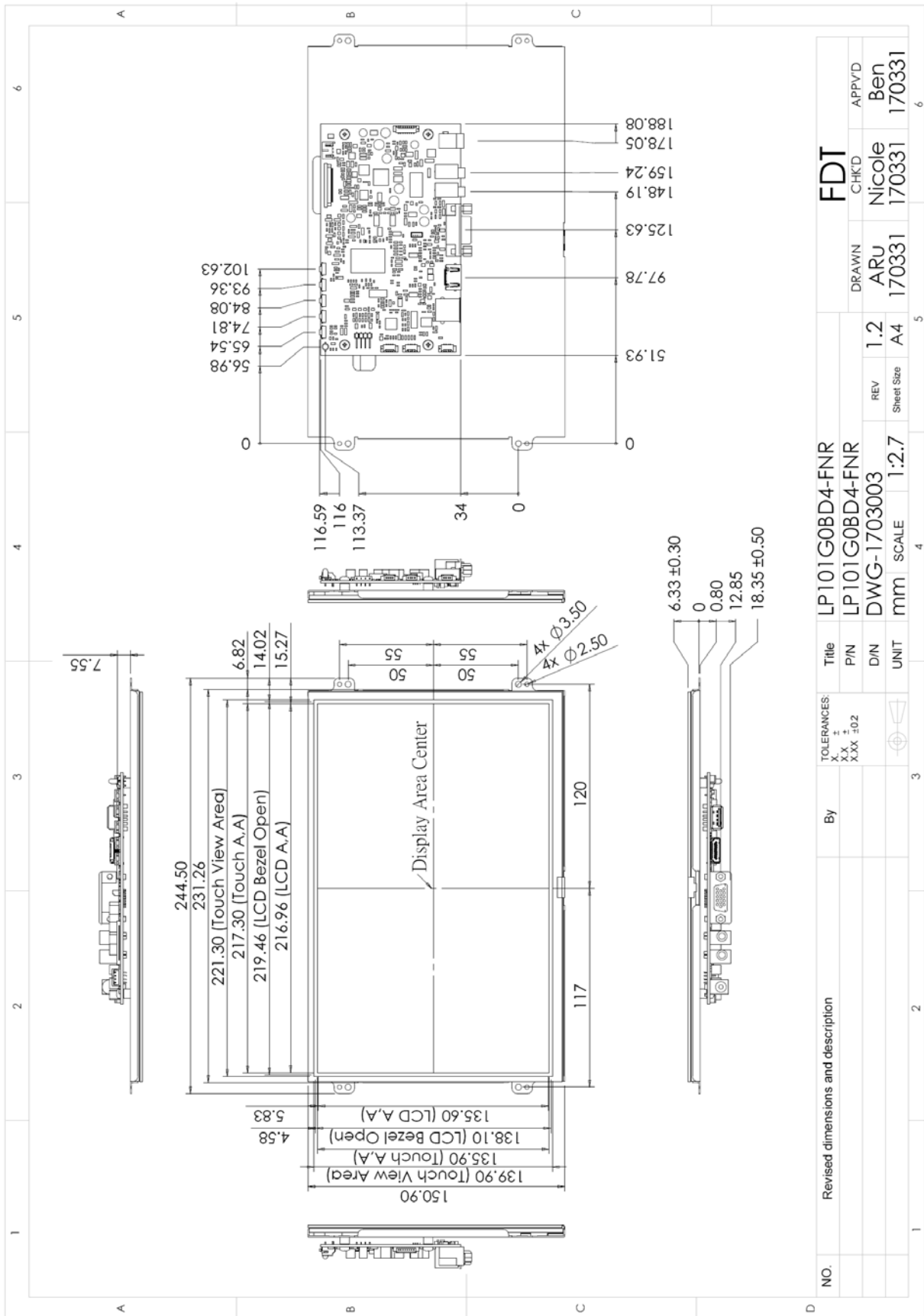
## Order Information

Parameter	LP101G0BD0-FNR	LP101G0BD4-FNR	LP101G0BDP-FNR
VGA	⊙	⊙	⊙
HDMI	⊙	⊙	⊙
Touch Panel Type	-	4W Resistive	Projected Capacitive Touch
Touch Screen Interface	-	USB	USB
Headphone Driver (Line In & out)	⊙	⊙	⊙
5 Keys	⊙	⊙	⊙
UART Remote Control	⊙	⊙	⊙
Condition	Standard	Standard	Standard

Parameter	Condition
RS232 Remote Control	Non-standard
External Key	
Accessories (Option)	Standard

Note: Special order condition will apply to non-standard items and pls. contact salespersons in FDT.

## Dimension



NO.	Revised dimensions and description	By	Title		FDT	
			LP101G0BD4-FNR	LP101G0BD4-FNR	CHKD	APPV/D
			P/N	D/N	UNIT	SCALE
			X.XX ±	X.XX ±	mm	1:2.7
			X.XX ±0.2			
			REV	Sheet Size	REV	Sheet Size
			1.2	A4	170331	170331
			DRAWN	CHKD	APPV/D	
			ARU	Nicole	Ben	
			170331	170331	170331	

## Accessories (Option)

Before you begin installing the KIT, please make sure that the following materials have been shipped:



A. LASTD12033-FDR



B. LAACD18000-FDR



C. LACABLE068-FDR



D. LAVGA18000-FDR



E. LAUSB18000-FDR



F. LACABLE045-FDR



G. LACABLE070-FDR



H. LAVCD00002-FDR

- A. AC to DC Adapter (L:1500mm, 100-240V<sub>AC</sub> 50-60Hz to +12V<sub>DC</sub> @ 3.3A,  $\phi$  2.1)
- B. Power Cord (L:1800mm, Plug Type B for USA)
- C. HDMI Cable (L:1800mm)
- D. VGA Cable (L:1800mm)
- E. USB Cable (L:1800mm)
- F. RS232 Cable (L:1800mm, Null Modem)
- G. AUDIO Cable (L:1800mm)
- H. Touch Screen Driver CD Disk / User Manual